

PLC Distributor Manual

1. **What is a PLC Controller?**
 - I. Overview
 - II. Applications
 - III. Advantages
2. **CHOOSING THE RIGHT PULSARLUBE PLC LUBRICATOR**
 - I. Pulsarlube PLC Selection Guidelines
 - II. Pulsarlube PLC Dispensing Chart
3. **AFTER SELECTING PULSARLUBE PLC LUBRICATOR**
 - I. How to Wire Operating Signals
 - II. How to Wire Power Supply Signals
4. **TECHNICAL**
 - I. Wiring Guidelines
 - II. Program Guidelines



Overview

A **PLC (Programmable Logic Controller)** is a specialized computing system used to control and automate industrial machines and processes. It is a rugged system designed to operate in industrial environments.

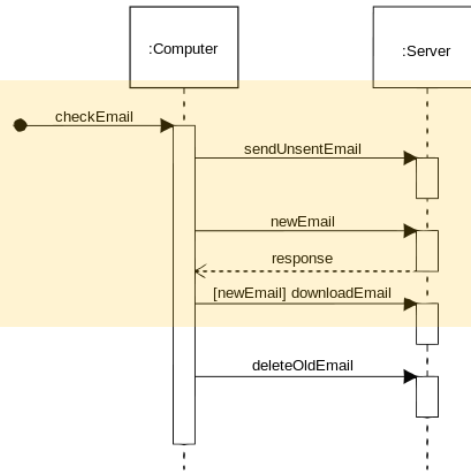
First invented to replace hardwired relay systems, PLCs can help reduce production costs and aids in mass production.

Program: Write the order.

```
#include <stdio.h>

int main(void)
{
    printf("Hello world!\n\n");
    return 0;
}
```

Logic: Follow the sequence.



Controller: Control the process.



Applications



Automotive Spot Welding Lines



Textile Chemical Lines



Automotive Paint Lines



Car Seat Conveyor Lines



Applications

- Manufacturers and parts suppliers utilizing industrial robots and assembly line control for processes such as transport, assembly, painting, welding, and warehousing
- Food and beverage manufacturers that require control of conveyors and product lines
- Manufacturers and logistics companies that require automatic warehousing (goods receipt, shipment management), cargo handling equipment
- Raw material transportation & iron and steel mills, unloading, manufacturing processes
- Pollution prevention and recycling plants for controlling waste incinerator, recycling machinery, crushers, etc.



PLC Advantages

- Cost effective – highly productive & stable
- Possible to control remotely
- Communication capability
- Simple wiring compared to previous relay systems
- Operates complicated systems with faster responses
- Strong reliability
- Long lifecycle due to upgradable system
- Easy program access by users





Pulsarlube PLC Selection Guidelines

Step1. Ask for the PLC Controller signal type and order the Pulsarlube PLC lubricator accordingly.

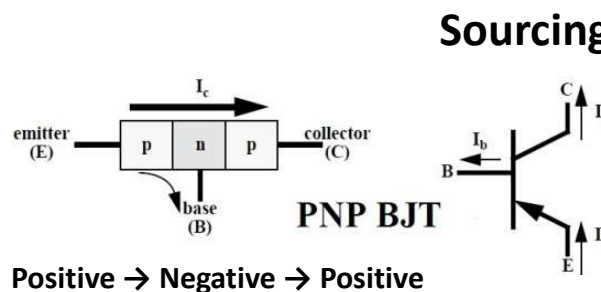
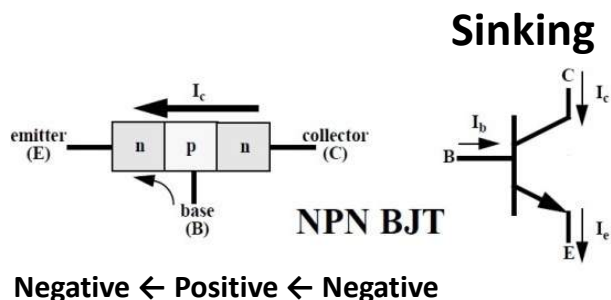
There are two types of sensors available; **PNP** and **NPN**. To connect to a sensor you will need to be able to match the type of signal the device uses.

In order to meet both types without confusion, **Pulsarlube PLC** can be ordered with either PNP or NPN, in accordance to your needs.

NOTE

North America and Europe typically uses PNP sensors and Asia typically uses NPN sensors.

However, if your customer in NA or Europe is using a PLC controller made by an Asian company, it may be using an NPN sensor type.





Pulsarlube PLC Selection Guidelines

Step2. After the Pulsarlube PLC sensor type is selected, choose the desired type of lubricator, MONTH or INTERVAL. Use the checklist below to see which setting mode is right for your application.

- ✓ Typical M series monthly dispensing setting works fine for application.
- ✓ I might not use a PLC controller and may be connecting it directly to a DC power supply.
- ✓ I don't need to differentiate whether the alarm is triggered for end of monthly cycle or backpressure
- ✓ I want complete control and customization over dispensing.
- ✓ I know exactly when and how much grease should be dispensed.
- ✓ I'd like to know the exact reason why the alarm is triggering before I go to the lubricator on-site.

MONTH is the simple choice.

MONTH TYPE

INTERVAL is the right choice.

INTERVAL TYPE



Pulsarlube PLC Selection Guidelines

Step3. Choose the desired size and grease specification.



For the dispensing cycles chart, please refer to next slide.

Grease Capacity: 60ml, 120ml, 240ml, 480ml

Lubricants: PL1 ~ PL10

Part number examples:

PLC120-MON(P)/PL1 – PLC 120ml Month PNP type filled with PL1 grease

PLC240-INT(N)/PL4 – PLC 240ml Interval NPN type filled with PL4 grease



Pulsarlube PLC Dispensing Chart

1) MONTH type - Familiar with the Pulsarlube M series? The monthly settings are the same!

◆ Month Type Dispensing Periods

Dispensing volume /stroke 0.34ml

Dispensing Periods	60ml			120ml			240ml			480ml		
	Intervals /hour	Cycles /day	(ml) /day	Intervals /hour	Cycles /day	(ml) /day	Intervals /hour	Cycles /day	(ml) /day	Intervals /hour	Cycles /day	(ml) /day
1M	4	6.0	2.04	2	12.0	4.08	1	24.0	8.16	0.5	48.0	16.32
2M	8	3.0	1.02	4	6.00	2.04	2	12.0	4.08	1	24.0	8.16
3M	12	2.0	0.68	6	4.00	1.36	3	8.00	2.72	1.5	16.0	5.44
4M	16	1.50	0.51	8	3.00	1.02	4	6.00	2.04	2	12.0	4.08
5M	20	1.20	0.41	10	2.40	0.82	5	4.80	1.63	2.5	9.60	3.26
6M	24	1.00	0.34	12	2.00	0.68	6	4.00	1.36	3	8.00	2.72
7M	28	0.86	0.29	14	1.71	0.58	7	3.43	1.17	3.5	6.86	2.33
8M	32	0.75	0.26	16	1.50	0.51	8	3.00	1.02	4	6.00	2.04
9M	36	0.67	0.23	18	1.33	0.45	9	2.67	0.91	4.5	5.33	1.81
10M	40	0.60	0.20	20	1.20	0.41	10	2.40	0.82	5	4.80	1.63
11M	44	0.55	0.19	22	1.09	0.37	11	2.18	0.74	5.5	4.36	1.48
12M	48	0.50	0.17	24	1.00	0.34	12	2.00	0.68	6	4.00	1.36
Total Cycles	180 Cycles			360 Cycles			720 Cycles			1,440 Cycles		

2) INTERVAL type – A PLC controller is REQUIRED to use this product.

Modes	60ml	120ml	240ml	480ml
Mode 1	0.34	0.34	0.34	0.34
Mode 2	0.68	0.68	0.68	0.68
Mode 3	1.02	1.02	1.02	1.02
Mode 4	1.36	1.36	1.36	1.36
Mode 5	1.70	1.70	1.70	1.70
Mode 6	2.04	2.04	2.04	2.04
Total Cycles	180 cycles	360 cycles	720 cycles	1,440 cycles

NOTE Please make sure to insert a minimum **5 minute pause** in between each programmed interval to protect your lubricator from overheating.



How to Wire the Operating Signals

Step1. First check the wires and make sure to connect the correct wires for DC IN/OUTPUT.

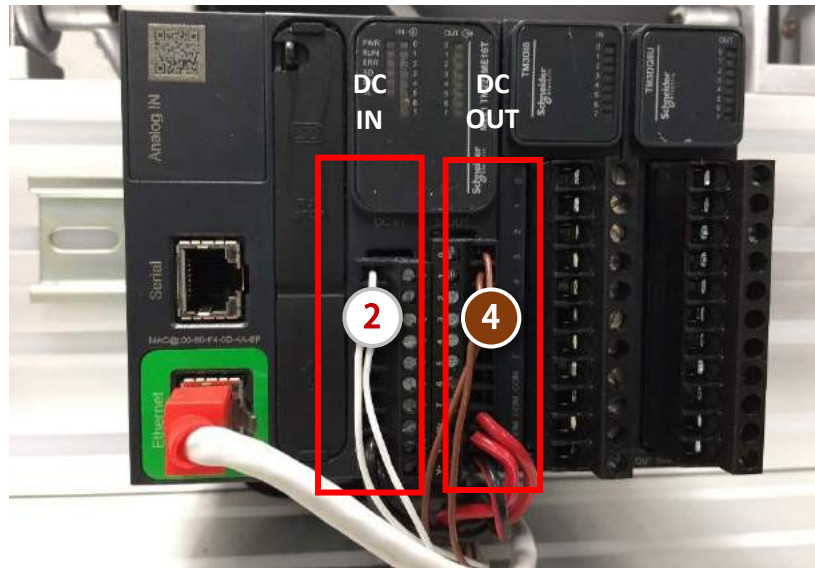
Connect Alarm Out ² wire to DC Input Port

Pulsarlube PLC sends a alarm signal out to DC Input when an error occurs

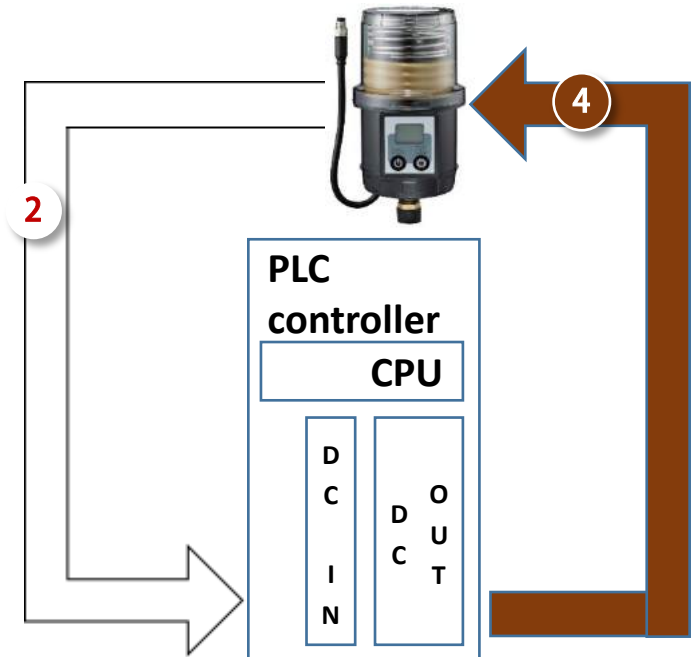
Wiring Example

Connect Signal In ⁴ wire to DC Output Port

Pulsarlube PLC receives a signal from DC Output when a signal is sent from the PLC



Pulsarlube PLC Cable





How to Wire the Power Supply Signals

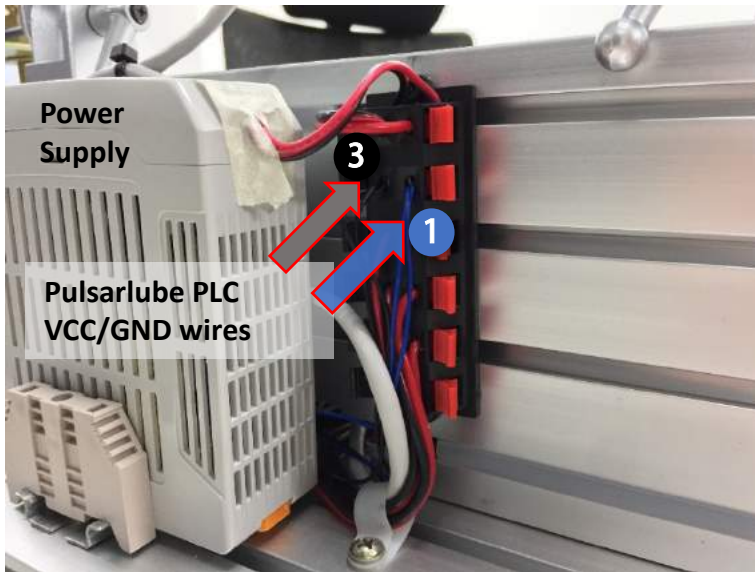
Step2. Now connect power supply cables to the Power supply.

VCC+ 1
Power connection to
Power Supply (9-24V)

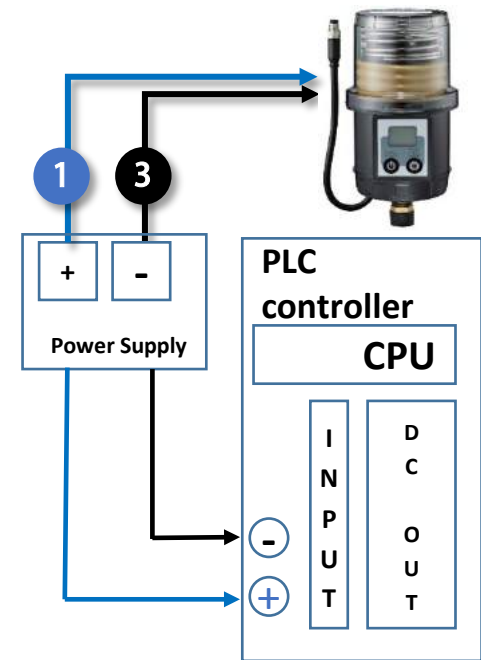
GND- 3
Power connection to
Power Supply (0V)

NOTE This is a wiring example of the Pulsarlube PLC demo kit. Power supply wires might be different depending on the type of PLC controller. Please make sure to check **Plus + (24V)** and **Negative - (0V)**.

Wiring Example



Pulsarlube PLC Cable

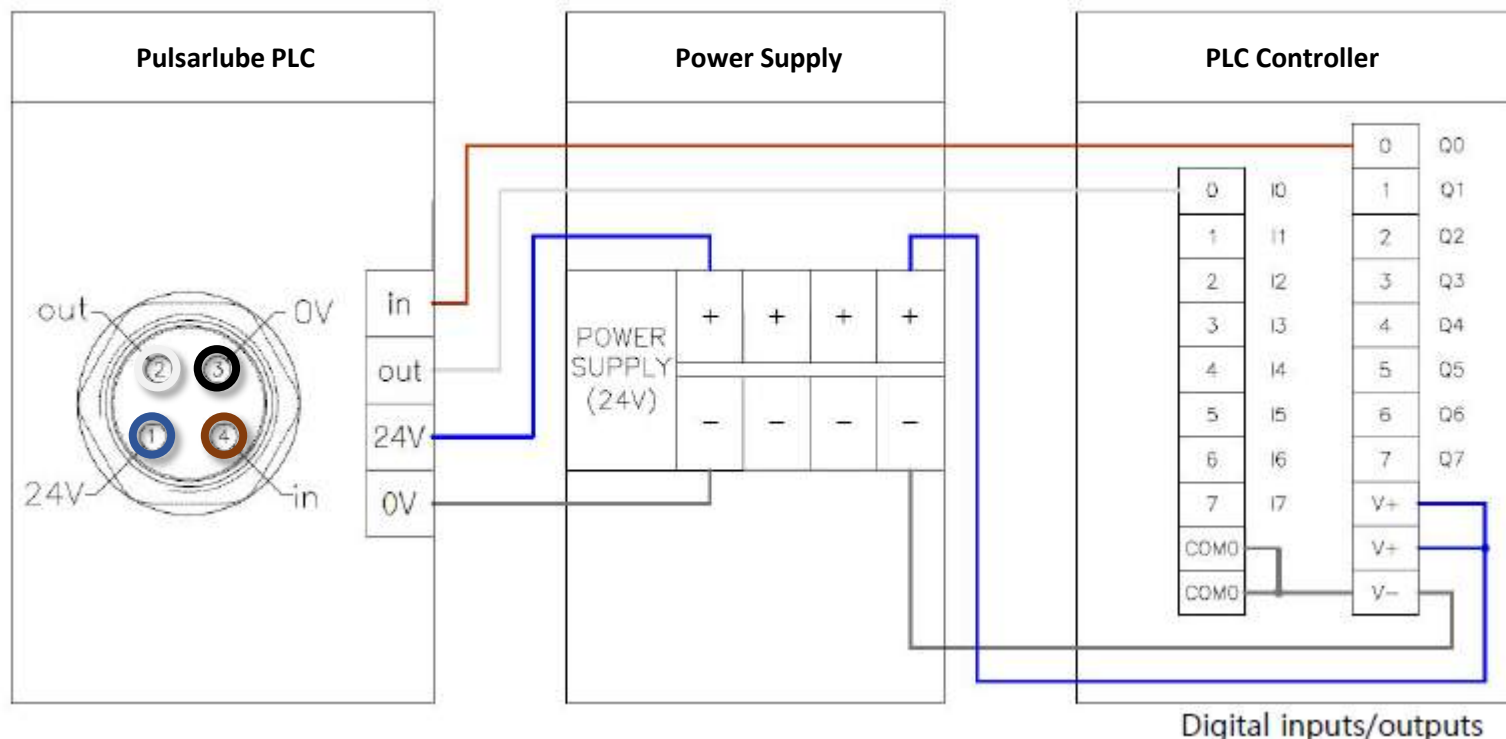




Wiring Guideline

If customer requires further information, the diagram below can be used as an example.

Wiring example of Pulsarlube PLC PNP type & PLC Controller

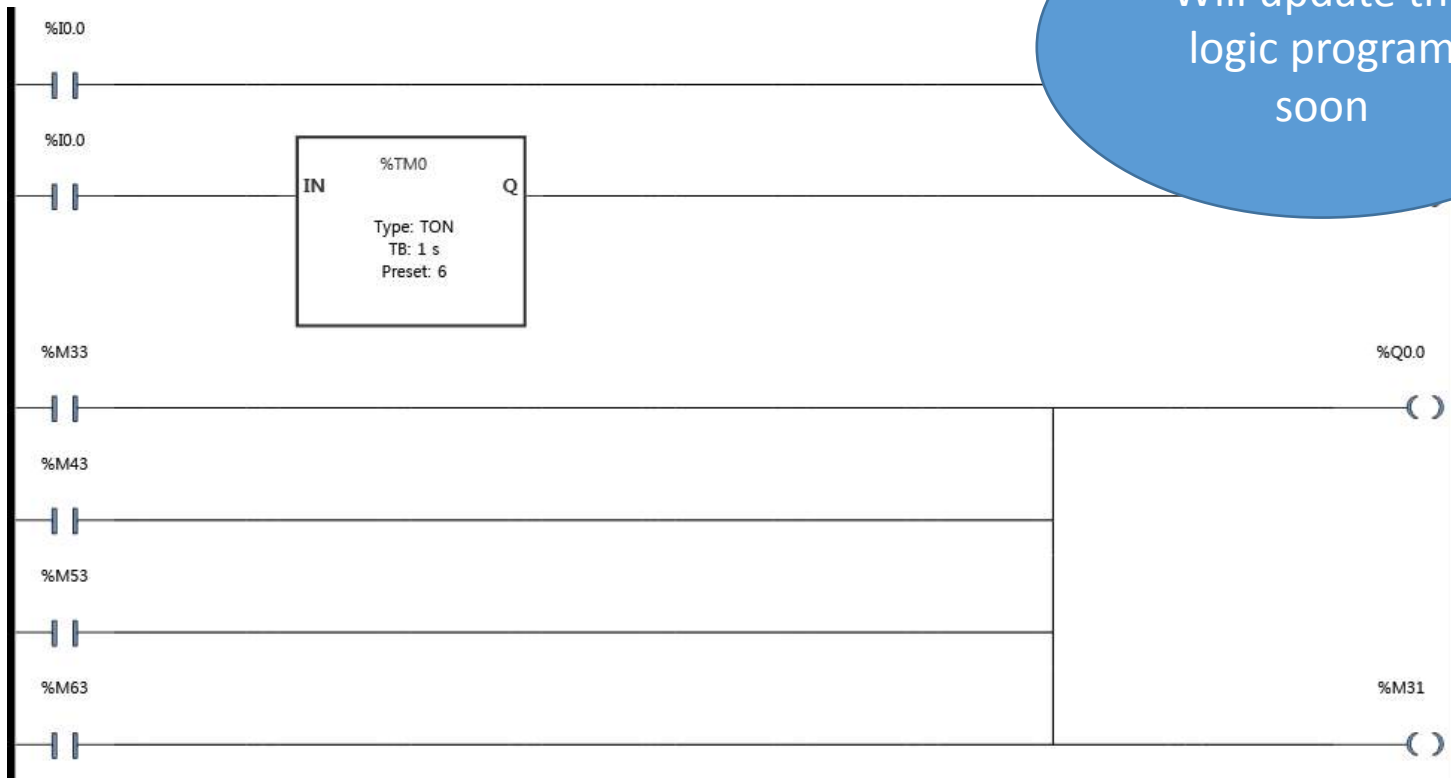


Digital inputs/outputs

Program Guideline

If customer requires further information, the diagram below can be used as a programming example. A sample logic can be downloaded from our website www.pulsarlube.com.

The basic ladder logic example of Pulsarlube PLC



Will update the logic program soon