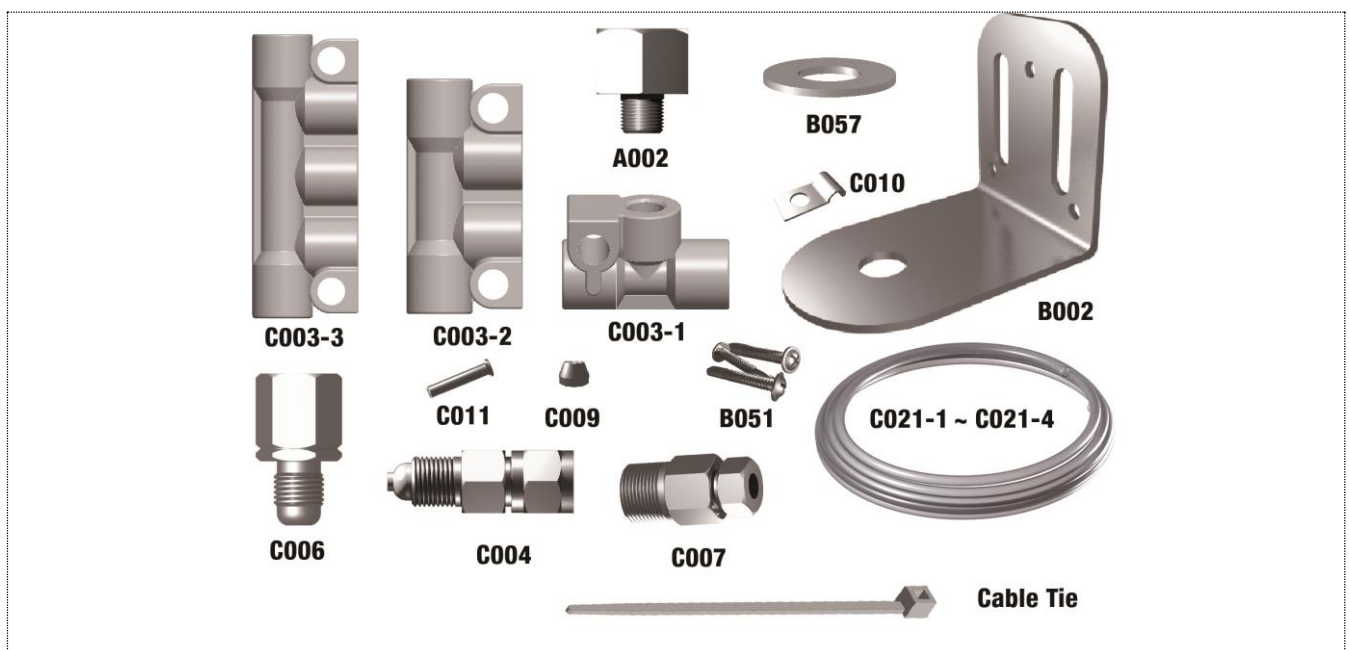


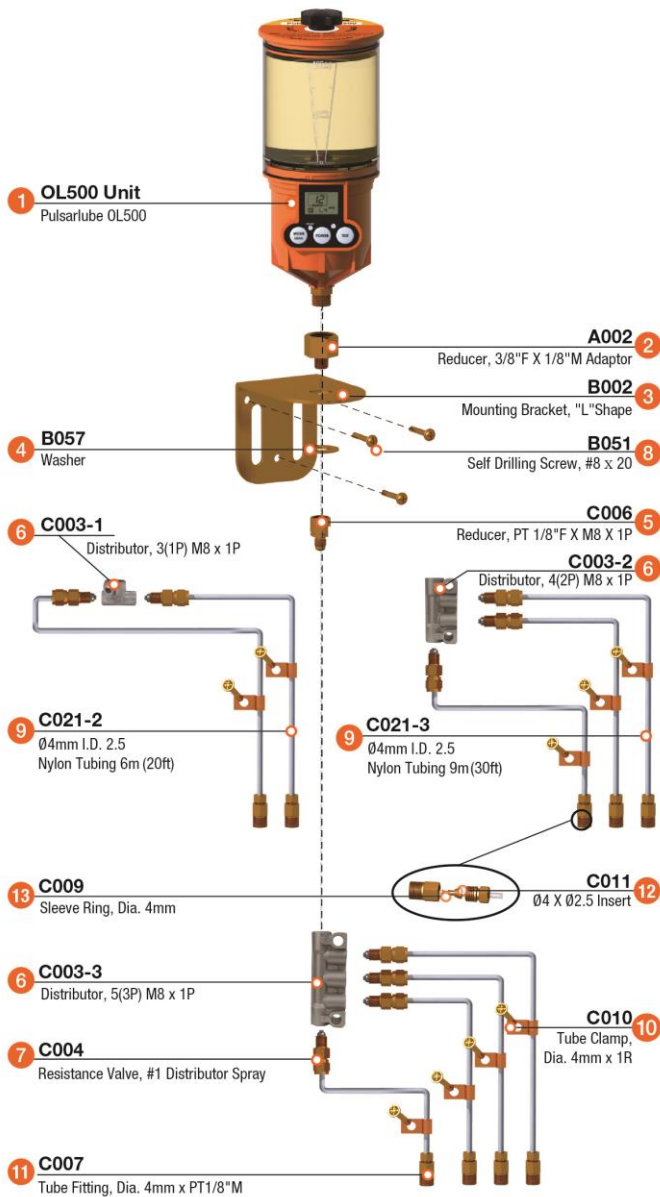
## Multipoint Remote Installation Kits for Pulsarlube OL

No	Part No.	Kit No. & Quantity of Parts		
		1250RO-2	1250RO-3	1250RO-4
①	OL unit	Not included		
②	A002	1ea		
③	B002	1ea		
④	B057	1ea		
⑤	C006	1ea		
⑥	Distributor	C003-1	C003-2	C003-3
⑦	C004	2ea	3ea	4ea
⑧	B051	7ea	9ea	11ea
⑨	Nylon Tubing	C021-2	C021-3	C021-4
⑩	C010	4ea	6ea	8ea
⑪	C007	2ea	3ea	4ea
⑫	C011	2ea	3ea	4ea
⑬	C009	2ea	3ea	4ea
-	Cable Tie	4ea	6ea	8ea

- Oil brush and brush bracket assembly is available (sold separately).



## Multi-Point Installation



Note : All parts above are Metric thread.

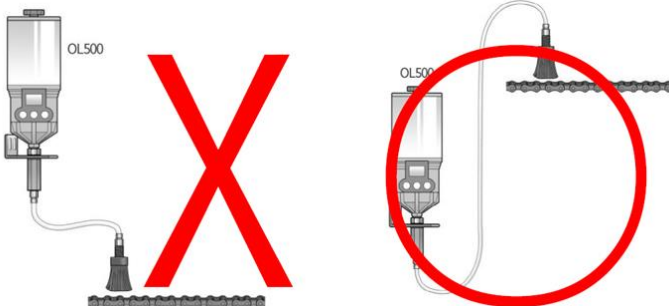
### ASSEMBLY PROCEDURE

- ① Install the mounting bracket (3) at a proper location using screws (8) to allow for easy installation and filling of oil.
- ② Install the lubricator using the adapter (2), washer (4), and reducer (5).
- ③ Remove the oil reservoir lid and fill the cartridge with oil to the 500ml level on the label. After closing the lid, turn the knob on the lid counter clockwise to open the vent and relieve vacuum pressure.
- ④ Press the "TEST" button for 2 seconds to run test mode. Confirm that the unit is dispensing oil properly.
- ⑤ Assemble the reducer (5) and the distributor (6). The distributor must be installed near the lubricator.
- ⑥ Connect one end of the tubing to the resistance valve (7) and the other end of the tubing to the fitting connector (11). Assemble the insert (12) and sleeve ring (13) in order, as shown in the circled image on the left. (If an oil brush and bracket assembly is to be used, connect brush to a fitting connector (11) at the end of lube line using an appropriate socket.)
- ⑦ Use the tube clamps (10) and screws (8) to affix the tubing (9) to a wall.

### COMMENTS

Apply PTFE Tape around the thread on fittings (2) and (11) and on the tip of the lubricator. Do not use PTFE Tape on parts (5), (7), or (9).

Output volume may vary depending on oil viscosity, length of lube line, ambient temperature, etc.



### Warning

For oils below ISO VG 100, place the oilers *below* the lube points and twist the lube lines a couple of times to avoid oil leaks caused by gravity.

For oils below ISO VG 100 – OL500 products should be installed below the lube points.